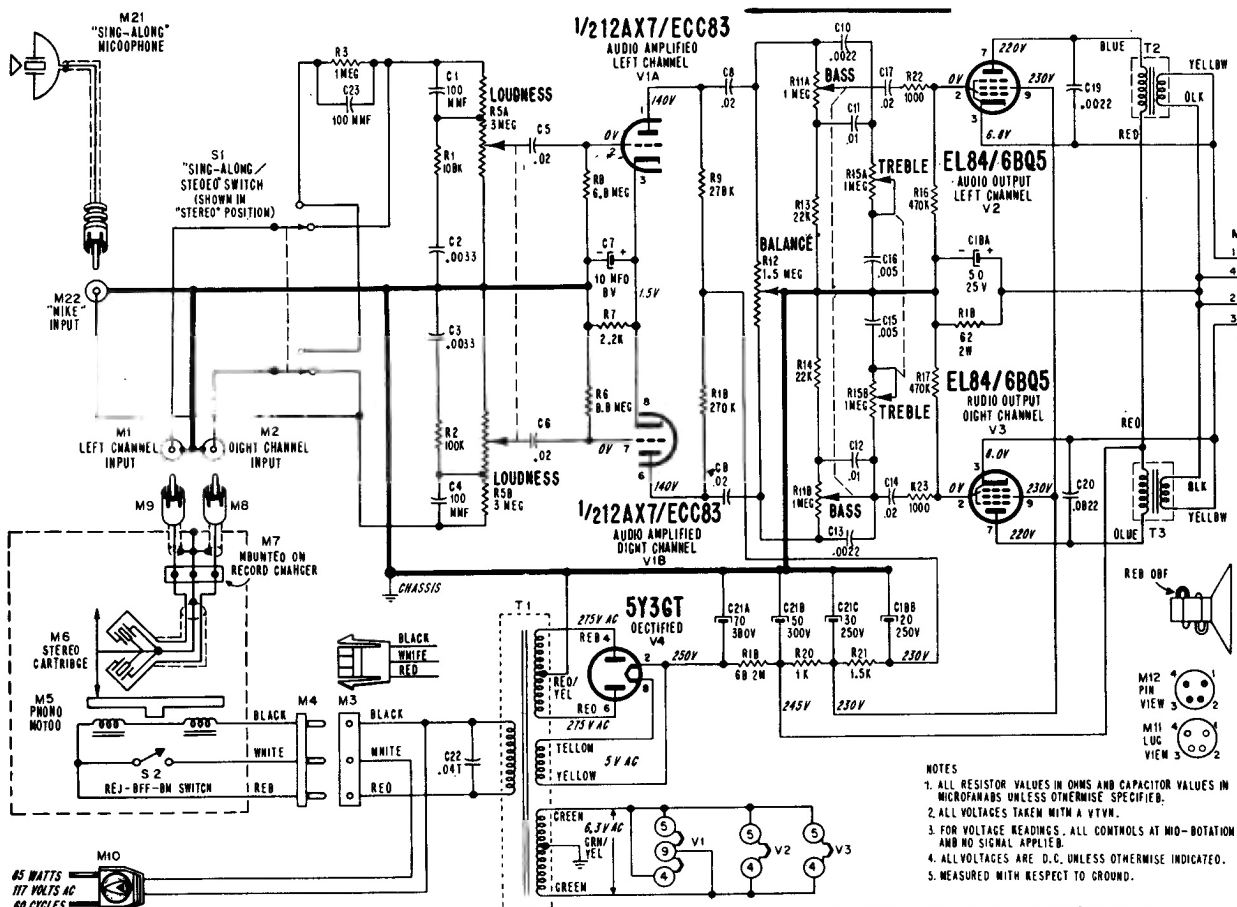


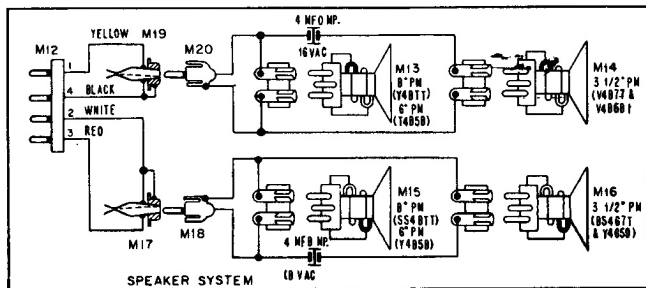
# ADMIRAL

MODEL Y4659 - Y4677  
CHASSIS 4S3A



## CARTRIDGE AND NEEDLE REPLACEMENT

Turn needle selector handle so that desired number (78 or LPS) faces up; corresponding needle will point down. With thumbnail, pull flange at rear of worn needle straight away from cartridge. Line up parallel flanges of new needle with opening in cartridge case and press in place with fingertip.



## CHASSIS REMOVAL

Disconnect the line cord. Remove four screws holding chassis grille in place. Pull all control knobs off. Remove the nuts under the knobs of the treble and loudness controls while supporting the chassis. Chassis may now be lowered and pulled out for easy servicing.

**IMPORTANT:** For regular phonograph operation when "sing along" microphone is not being used, unplug microphone from socket and move switch back to "Stereo" position. If microphone is not disconnected with switch in "Stereo" position, the two sound channels will become out of balance, affecting satisfactory sound reproduction. Connect microphone only when using "sing along" operation.

## ADMIRAL CHASSIS 1F1B MODEL Y4918

